

# Adept Cobra i600



The Adept Cobra™ i600 robot is an affordable, high-performance SCARA robot system for mechanical assembly, material handling, packaging, machine tending, screw driving, and many other applications that require fast and precise automation. With a built-in amplifier and motion controller, the Adept Cobra i600 delivers high footprint efficiency and is part of the industry's only line of self-contained, standalone SCARA robots.

Rapidly deploy your robot by connecting it directly to a PC to program your application using Micro V+.

## Product Features and Benefits

- No external electronics – amplifiers and motion controller are built into the robot arm, reducing the size and number of cables, and simplifying system deployment
- MicroV+ real-time operating system and easy-to-use programming language
- Adept ACE™ software to deploy your applications through a user-friendly interface
- High-resolution, absolute encoders to provide high accuracy, superior slow-speed following, and easy calibration
- High-efficiency, low-inertia Harmonic Drives™ and a lightweight arm to deliver maximum acceleration
- 8 kHz servo update rate to improve path following and control
- Diagnostics display enables faster troubleshooting

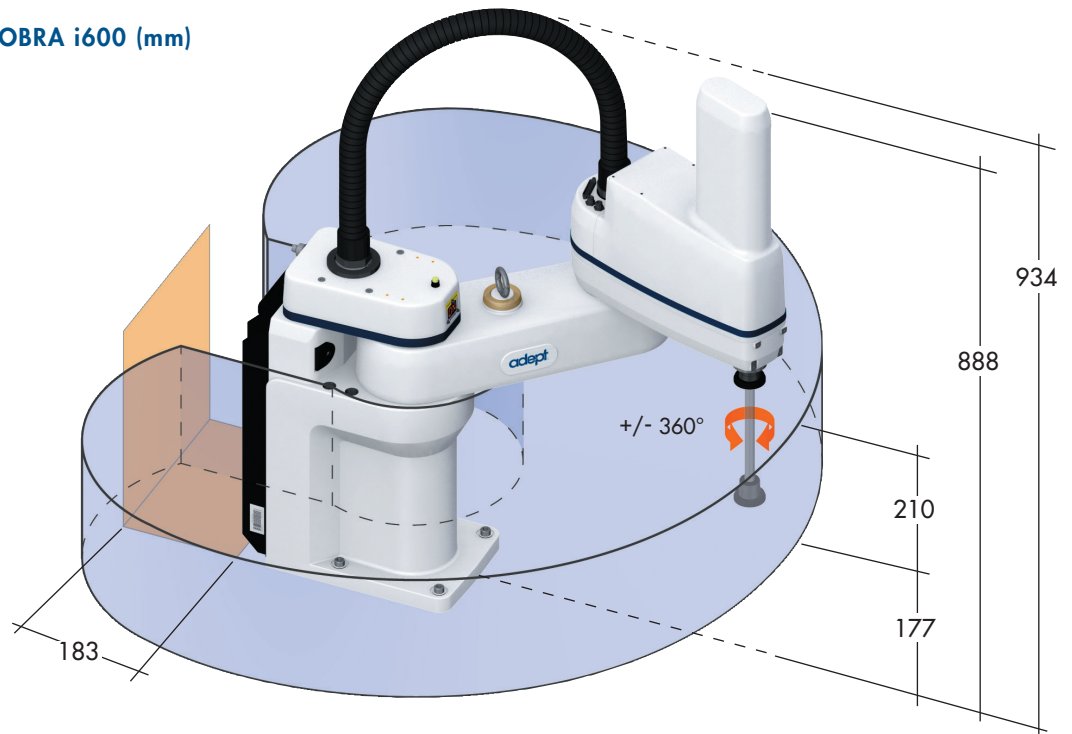
## Specifications

Reach	600 mm
Payload	
Rated	2 kg
Max.	5.5 kg
Adept Cycle	
Burst Mode	0.42 sec
Sustained (20°C)	0.45 sec
Joint Ranges	
Joint 1	± 105°
Joint 2	± 150°
Joint 3	210 mm
Joint 4	± 360°
Joint Speeds	
Joint 1	386°/sec
Joint 2	720°/sec
Joint 3	1100 mm/sec
Joint 4	1200°/sec
Repeatability	
XY	± 0.017 mm
Z	± 0.003 mm
Theta	± 0.019°
Pass-Through Connections	
Electrical	24 (12 twisted pairs)
Pneumatic	6 mm (x2) 4 mm (x3)
DeviceNet	1
Digital I/O Channels	
ALB:	12 inputs, 8 outputs
Optional solenoid:	4 outputs
Weight	41 kg
Environmental Requirements	
Ambient Temperature	5 - 40 °C
Humidity Range	5 - 90 % (non-condensing)
Power Requirements	
24 VDC :	6 A
200 - 240 VAC :	10 A, single-phase
CE and cULus Compliant	

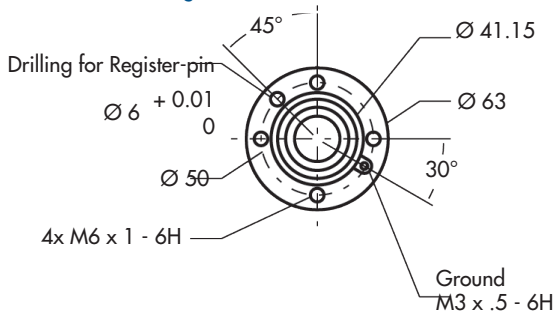
# ADEPT COBRA i600

## DIMENSIONS OF THE ADEPT COBRA i600 (mm)

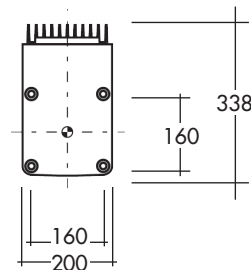
- Work Envelope: Radius 600 mm
- Inner Limit: Radius 163 mm
- Height: 210 mm
- Required clearance to open AIB Chassis



### Dimensions: Flange (mm)



### Dimensions: Flange (mm)



### The Adept Cobra i600 system includes the following:

- Adept Cobra i600 robot with MicroV+ installed
- Front panel with E-Stop
- Adept ACE software
- Cables to connect to E-Stop and other peripherals
- User documentation

### Options and Peripherals:

- AdeptSight™ vision guidance and inspection system  
(requires a PC—Adept recommends using the Adept SmartVision™ EX)
- T2 manual control pendant
- IO Blox I/O module (8 digital input and output channels each)
- High-resolution Joint 4 option
- Solenoid valve kit
- Cleanroom ISO4 (class 10) option
- Adjustable Hardstop Kit

### Downloads:

- Download CAD files for the Adept Cobra i600 robot from <http://www.adept.com/support/downloads/file-search> using the following download ID: 500007



Adept Technology, Inc. 5960 Inglewood Drive, Pleasanton, CA 94588  
Tel: 925-245-3400 Fax: 925-960-0452 Email: [info@adept.com](mailto:info@adept.com)  
[www.adept.com](http://www.adept.com)

Specifications subject to change without notice.  
©2012 Adept Technology, Inc. ALL RIGHTS RESERVED. The information provided in this communication or document is the property of Adept Technology, Inc. and is protected by copyright and other intellectual property laws. In addition, any references to any Adept Technology, Inc. products are the marks and property of Adept Technology, Inc. (and may be registered trademarks). All other trademarks or tradenames are the property of their respective holders.