

Adept Hornet 565



The Hornet 565 is a parallel robot for high-speed picking and packaging applications. Adept's powerful controls are fully embedded into the base of the robot, saving valuable floor space and reducing installation costs and complexity. The Hornet 565 features a hygienic design that minimizes contamination risks, including a standard IP65 rating and corrosion resistant materials for easy wash down. The Hornet is part of Adept's complete robotic packaging solution that includes integrated high-speed conveyor tracking, powerful vision guidance, and easy-to-use application software created specifically for the packaging market. The robot can also be programmed directly from a PLC, minimizing training and deployment time by using familiar ladder logic programming languages (IEC 61131-3).

Product Features

- Up to 50% less floor space required
- Up to 25% larger volume workspace than similar sized robots
- Up to 50% lighter for easy overhead installation
- Up to 25% faster with equivalent payloads
- Up to 30% more repeatable at equivalent conveyor speeds

Product Benefits

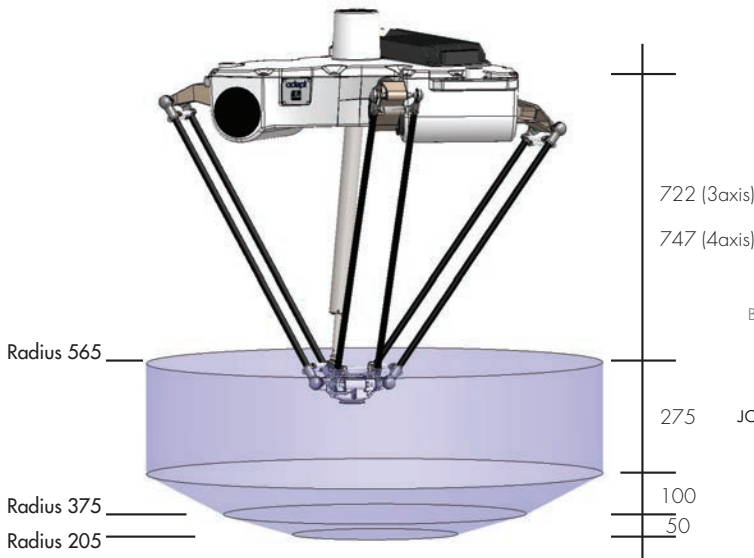
- > Hornet 565 requires no external control electronics, with all amplifiers and controls fully embedded into the robot
- > Extended vertical reach allows for a 0.36 m³ (12.7 ft³) workspace, enabling a wider variety of packages to be used. See diagram on reverse for details
- > 52kg (115lbs) total weight simplifies overhead installation
- > 0.32 s cycle time enables higher product throughput and reduces cost per pick
- > Industry-leading conveyor tracking capabilities allow for <5mm repeatability at all conveyor speeds (pending)

Specifications

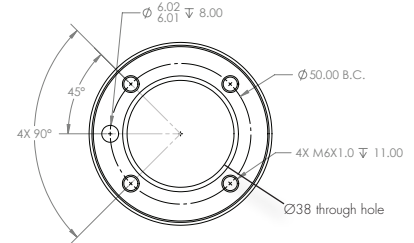
Number of Axes	3 or 4	
Mounting	Inverted	
Payload		
Rated	1 kg	
Max.	3 kg	
Working Range		
Diameter	1130 mm	
Height	425 mm	
Rotation	0° (3 axis) ± 360° (4 axis)	
Repeatability	± 0.10 mm (Uni-directional)	
Robot Cycle Times, sustained (seconds, at 20°C ambient)		
Payload	4 axis*	3 axis*
0.1 kg	0.35	0.32
1.0 kg	0.37	0.34
3.0 kg	0.42	0.38
* Adept Cycle, in mm (25/305/25)		
Power Requirements		
24 VDC	: 6 A	
200 to 240 VAC	: 10 A, single-phase	
Power Consumption for 25/305/25 mm cycle		
1.0 kg	0.260 kW	
Conveyor Tracking		
Conveyor Speed (mm/s)	Repeatability (mm)	
200	0.5	
350-750	0.5	
800-1400	3.0	
Protection		
Below mounting points:	IP65	
Above mounting points:	IP40 (with optional IP65 cable sealing kit)	
Environmental Requirements		
Ambient Temperature	1 - 40 °C	
Humidity Range	5 - 90 % (non-condensing)	
Weight	52 kg (115 lbs)	
CE Compliant		

ADEPT HORNET 565

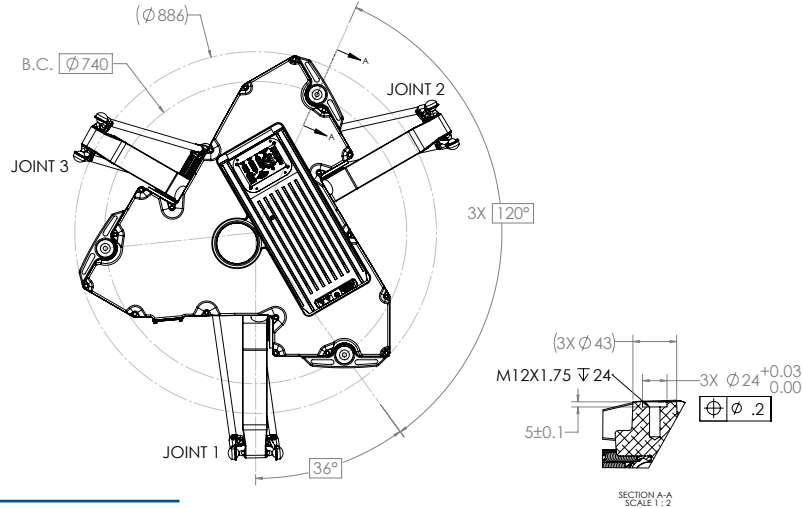
Dimensions: Adept Hornet (mm)



Dimensions: Flange (mm)

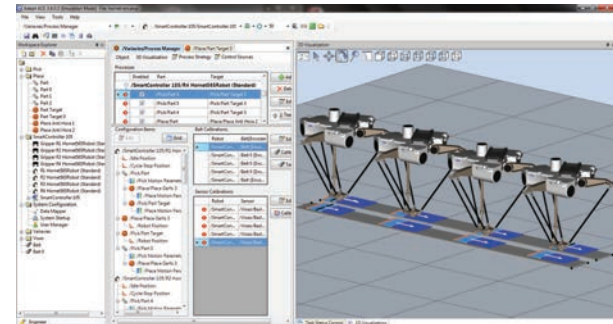


Dimensions: Footprint (mm)



Options and Peripherals

- ACE PackXpert™ is a powerful software package designed to rapidly deploy packaging automation solutions. The software wizard walks you through the configuration of packaging applications and generates all of the underlying robot programming; synchronizing cameras, conveyors, grippers and robots. ACE PackXpert also features a powerful 3D emulator that allows complete system configuration and testing in a virtual environment.
- The SmartVision MX™ is the easiest and most dependable way to add powerful vision guidance and inspection to your robotic packaging applications. The Adept SmartVision MX vision processor is a ruggedized, industrial computer optimized for demanding machine vision applications. It is compatible with a wide range of GigE and USB 3.0 machine vision cameras. AdeptSight software adds powerful vision tools that quickly identify and inspect randomly oriented products and provides their precise location to the robot.
- GigE Power-over-Ethernet and USB 3.0 machine vision cameras
- T20 manual control pendant



The Adept Hornet system includes the following:

- Adept Hornet 565 robot with fully integrated amplifiers and controls
- Cable to connect optional front panel, pendant, and external safety systems
- Adept ACE™ software - an integrated, point-and-click development environment for Adept's entire product portfolio of robots and controls
- User documentation

Downloads:

Download CAD files for the Adept Hornet 565 Robot from <http://www.adept.com>



Adept Technology, Inc. 5960 Inglewood Drive, Pleasanton, CA 94588

Tel: 925-245-3400 Fax: 925-960-0452 Email: info@adept.com

www.adept.com

Specifications subject to change without notice.

©2015 Adept Technology, Inc. ALL RIGHTS RESERVED. The information provided in this communication or document is the property of Adept Technology, Inc. and is protected by copyright and other intellectual property laws. In addition, any references to any Adept Technology, Inc. products are the marks and property of Adept Technology, Inc. [and may be registered trademarks]. All other trademarks or tradenames are the property of their respective holders.