

Lynx Handler-Semi



The Adept Lynx™ Semi Handler combines a Lynx autonomous indoor vehicle (AIV) with a collaborative 4-axis robot to produce a highly versatile mobile robot designed to pick, place and move semiconductor waferpods throughout a wafer fab. It is designed to exchange wafer pods from a variety of processing equipment, stockers and storage (WIP) racks, and operates collaboratively within a fleet of Lynx vehicles.

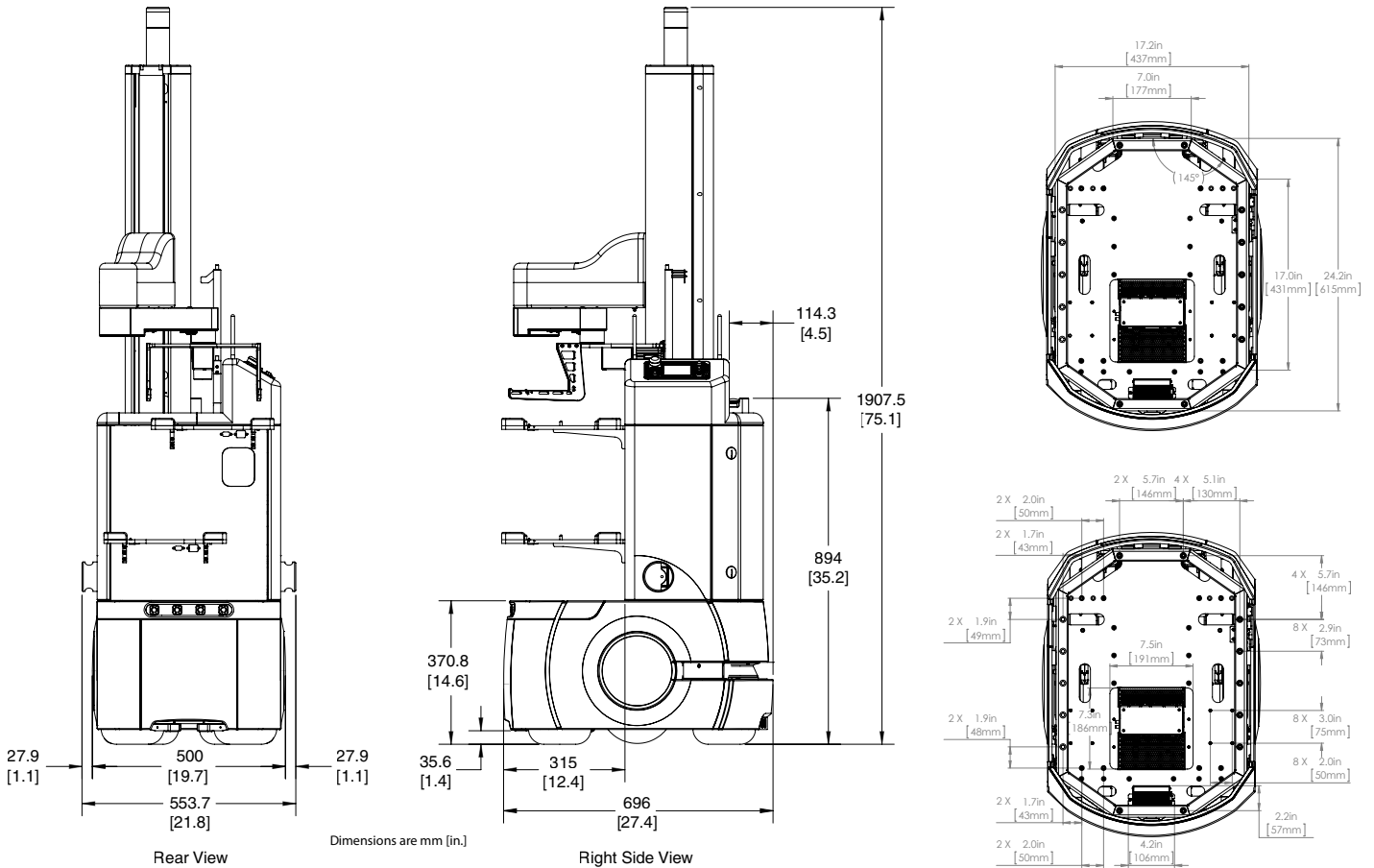
The on-board intelligence of the vehicle eliminates the need for additional infrastructure such as tracks, reflectors or magnets. It moves nimbly within narrow aisles and operates safely alongside people. The Lynx Semi Handler improves production yield by eliminating human-generated dust particles and by following instructions from the fab production software system, ensuring no errors in the physical handling of or the identification of wafer pods.

Specifications

Weight	110 kg (243 lbs)
Payload	
Level Surface	2x5 kg (2x11 lbs)
Power	
Battery	22-29 VDC LiFePO ₄
Capacity	60 Ah
Run Time	8 hours (continuous)
Recharge Time	3.5 hours (5:1 ratio)
Battery Life	7 years
Charging Station	Automatic (optional)
Mobility Overview	
Maximum Speed	1000 mm/sec
Tire Composition	Non-Marking Rubber
Suspension	Passive
Steering	Differential
Turning Radius	0
Swing Radius	343 mm (13.5 in)
Traversable Gap	15 mm (0.6 in)
Traversable Sill	15 mm (0.6 in)
CE, SEMI, VDI, ANSI B56.5	
Payload	
2 SMIF Pods for the automated exchange of	
150 or 200 mm wafers	
+/- 1 mm pod placement accuracy	
Load port compatible: SEMI E15	

ADEPT LYNX HANDLER-SEMI

Dimensions: Adept Lynx Handler-Semi (mm)



The Adept Lynx Handler-semi system includes the following:

- Adept Lynx™ mobile platform
- Graphical user interface
- 22-29 VDC battery pack
- Covers are removable without tools for maintenance
- User interface wheel indicating vehicle intent and status
- Programmable voice and audio prompts
- Queue management software

Options and Peripherals:

- Class 100 Cleanroom
- MobilePlanner™ and MobileEyes™ software package
- Enterprise Manager Lite
- Call buttons
- Door interface



Adept Technology, Inc. 5960 Inglewood Drive, Pleasanton, CA 94588

Tel: 925-245-3400 Fax: 925-960-0452 Email: info@adept.com

www.adept.com

Specifications subject to change without notice.

©2014 Adept Technology, Inc. ALL RIGHTS RESERVED. The information provided in this communication or document is the property of Adept Technology, Inc. and is protected by copyright and other intellectual property laws. In addition, any references to any Adept Technology, Inc. products are the marks and property of Adept Technology, Inc. [and may be registered trademarks]. All other trademarks or tradenames are the property of their respective holders.

Downloads:

Download CAD files for the Adept Lynx Handler-Semi robot from <http://www.adept.com/support/downloads/file-search>