

Adept Viper s1300



The Adept Viper™ s1300 robot is part of a high-performance line of 6-axis robots designed for applications such as assembly, material handling, packaging, machine tending, and operations that require fast and precise automation.

Product Features and Benefits

- Adept ACE™ software to deploy your applications through a user-friendly interface
- High-resolution, absolute encoders to provide high accuracy, superior slow-speed following, and easy calibration
- High-efficiency, low-inertia Harmonic Drives™ and a lightweight arm to deliver maximum acceleration
- SmartServo controls to ensure superior path following and control
- Diagnostics display enables faster trouble shooting
- Ethernet TCP/IP capability to control the robot through a PC, PLC, or controller
- Complete interchangeability between robots and controllers
- 1.3 m reach with 10 kg payload capacity



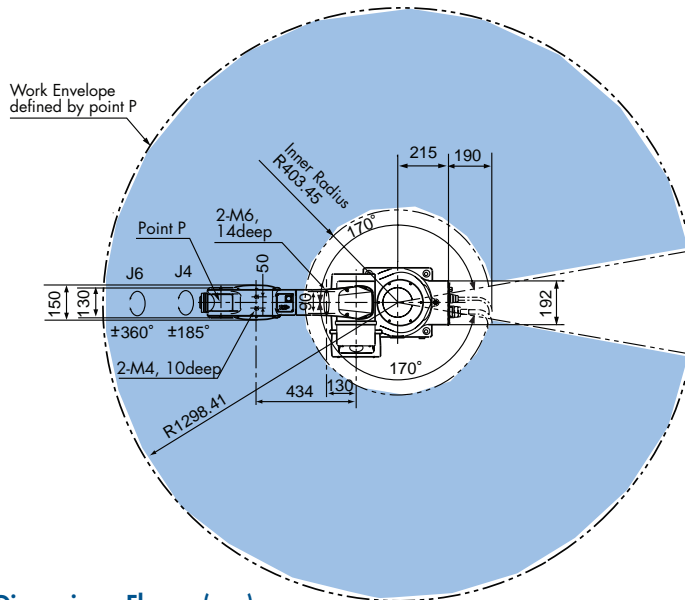
The Adept Viper s1300 robot comes with the high-performance Adept SmartController™ motion controller, which is based on the Adept SmartServo architecture. It has a small footprint of 329w x 187d x 86h mm.

Specifications

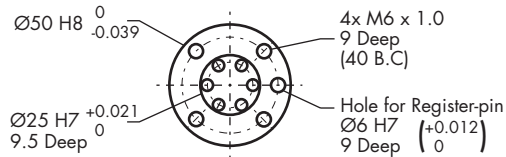
Reach	1298 mm
Payload	Rated 5 kg Max. 10 kg
Joint Ranges	
Joint 1	± 170°
Joint 2	- 180° , +45°
Joint 3	- 10° , +255°
Joint 4	± 185°
Joint 5	± 120°
Joint 6	± 360°
Inertia Moment (max.)	
Joint 4	0.36 kgm ²
Joint 5	0.36 kgm ²
Joint 6	0.064 kgm ²
Joint Speeds	
Joint 1	225°/sec
Joint 2	169°/sec
Joint 3	188°/sec
Joint 4	375°/sec
Joint 5	375°/sec
Joint 6	600°/sec
Repeatability	
XYZ	± 0.07 mm
Pass-Through Connections (routed from robot base to link four)	
Electrical	10
Pneumatic	6 mm (x1) 4 mm (x6)
Brakes	Joints 2 - 6
Mounting	Floor/Table
Weight	78 kg
Environmental Requirements	
Ambient Temperature	5 - 40 °C
Humidity Range	5 - 90 % (non-condensing)
Power Requirements for SmartController	
24 VDC : 5 A	
Power Requirements for PA-4	
200 - 240 or 380 - 415	VAC : 15 A
3-phase	
CE Compliant	

ADEPT VIPER s1300

Dimensions Adept Viper s1300



Dimensions: Flange (mm)



The Adept Viper s1300 system includes the following:

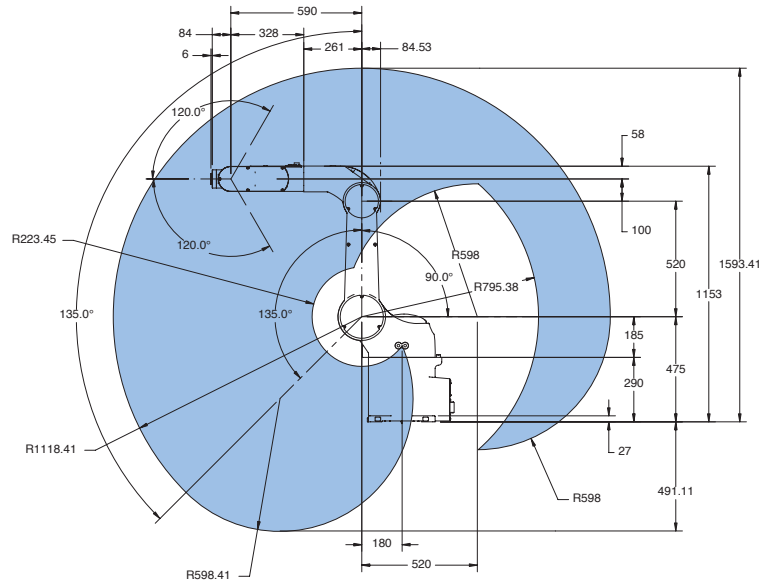
- Adept Viper s1300 robot
- Adept SmartController motion controller
- PA-4 chassis with servo controller and amplifiers
- Front panel with E-Stop
- Adept ACE software
- User documentation

Options and Peripherals:

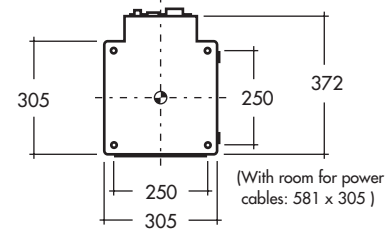
- AdeptSight™ vision guidance and inspection system (requires a PC—Adept recommends using the Adept SmartVision™ EX)
- T2 manual control pendant
- Dual robot configuration option
- Conveyor-tracking option
- sMI6 SmartMotion™ interface
- sDIO I/O expansion (32 digital input and 32 digital output channels)
- Brake Box

Downloads:

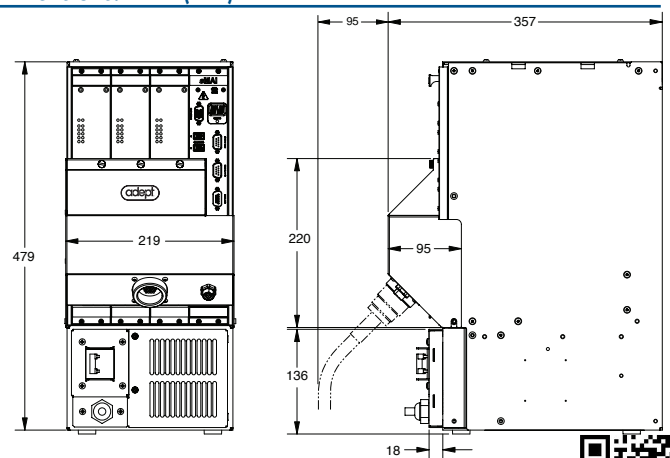
Download CAD files for the Adept Viper s1300 robot from <http://www.adept.com/support/downloads/file-search> using the following download ID: 500505



Dimensions: Footprint (mm)



Dimensions: PA-4 (mm)



Adept Technology, Inc. 5960 Inglewood Drive, Pleasanton, CA 94588

Tel: 925-245-3400 Fax: 925-960-0452 Email: info@adept.com

www.adept.com

Specifications subject to change without notice.

©2013 Adept Technology, Inc. ALL RIGHTS RESERVED. The information provided in this communication or document is the property of Adept Technology, Inc. and is protected by copyright and other intellectual property laws. In addition, any references to any Adept Technology, Inc. products are the marks and property of Adept Technology, Inc. [and may be registered trademarks]. All other trademarks or tradenames are the property of their respective holders.

